




LIYANKEJI  
 website: www.chliykj.com  
 Email: cn1837416888@gmail.com  
 Note: This product is constantly updated and improved with technological advancements and is subject to modification without prior notice. The final explanation right of the above content belongs to our company.

### Applicable working conditions


Mainly suitable for blasting of various stone works

#### More energy-saving environmental protection


**More efficient vacuuming efficiency**  
 The screw air compressor drives the hydraulic motor to compress air to form high-pressure gas, which is mainly used in hydraulic rock drilling equipment or other pneumatic devices to provide pneumatic power, slag blowing and dust collection, cleaning and lubrication, etc. Features: low noise, small size, energy saving and environmental protection, stable performance.




Powerful suction, easily handles all kinds of dust and gravel. High-efficiency filtration ensures dust-free quarrying construction. Durable and reliable, suitable for different construction environments and improving production efficiency. Make work easier and more efficiently.




#### Higher returns




Not afraid of terrain




Accurate positioning




Best power



easy and simple to handle



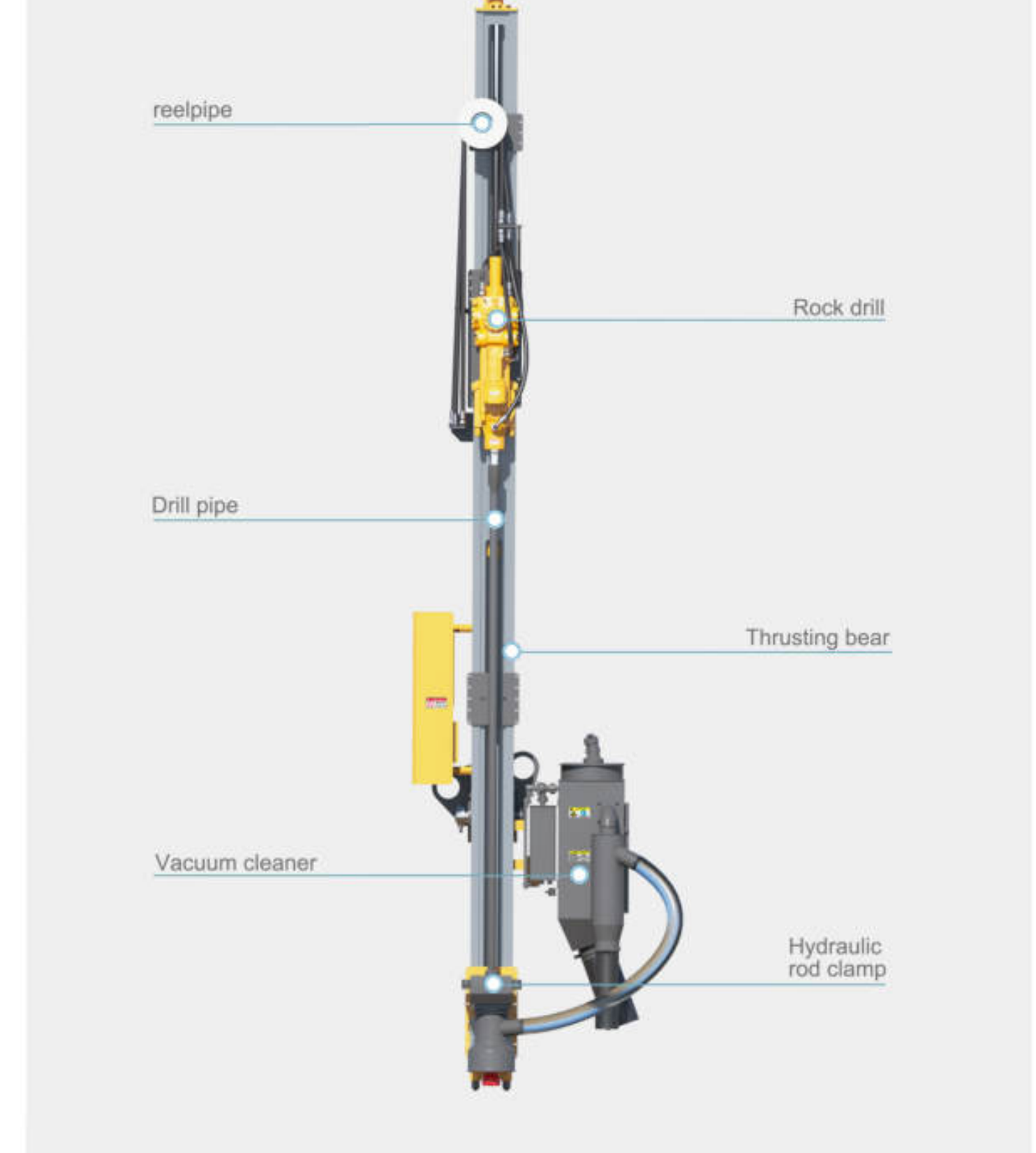
Support OEM/ODM



dependable performance

01 Hydraulic Excavation and Modification Drilling RigsT1

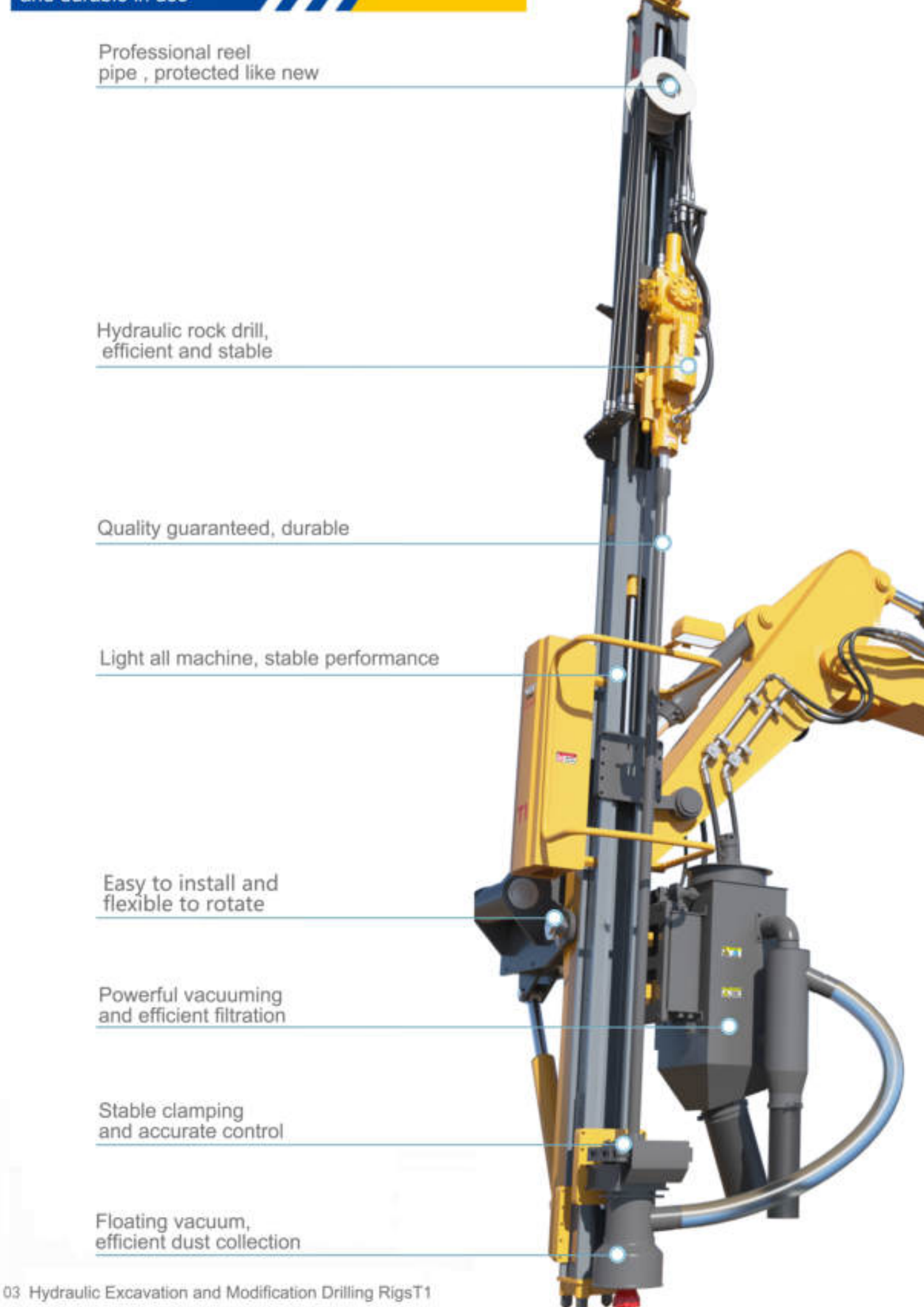
### Simpler, more stable and more efficient



LIYANKEJI

Hydraulic Excavation and Modification Drilling RigsT1 02

### More reliable and durable in use



03 Hydraulic Excavation and Modification Drilling RigsT1

### Hydraulic Excavation and Modification Drilling RigsT1



LIYANKEJI

Hydraulic Excavation and Modification Drilling RigsT1 04

### Drilling rig swing angle, magnifies details and transportation and hoisting schematic diagram



05 Hydraulic Excavation and Modification Drilling RigsT1

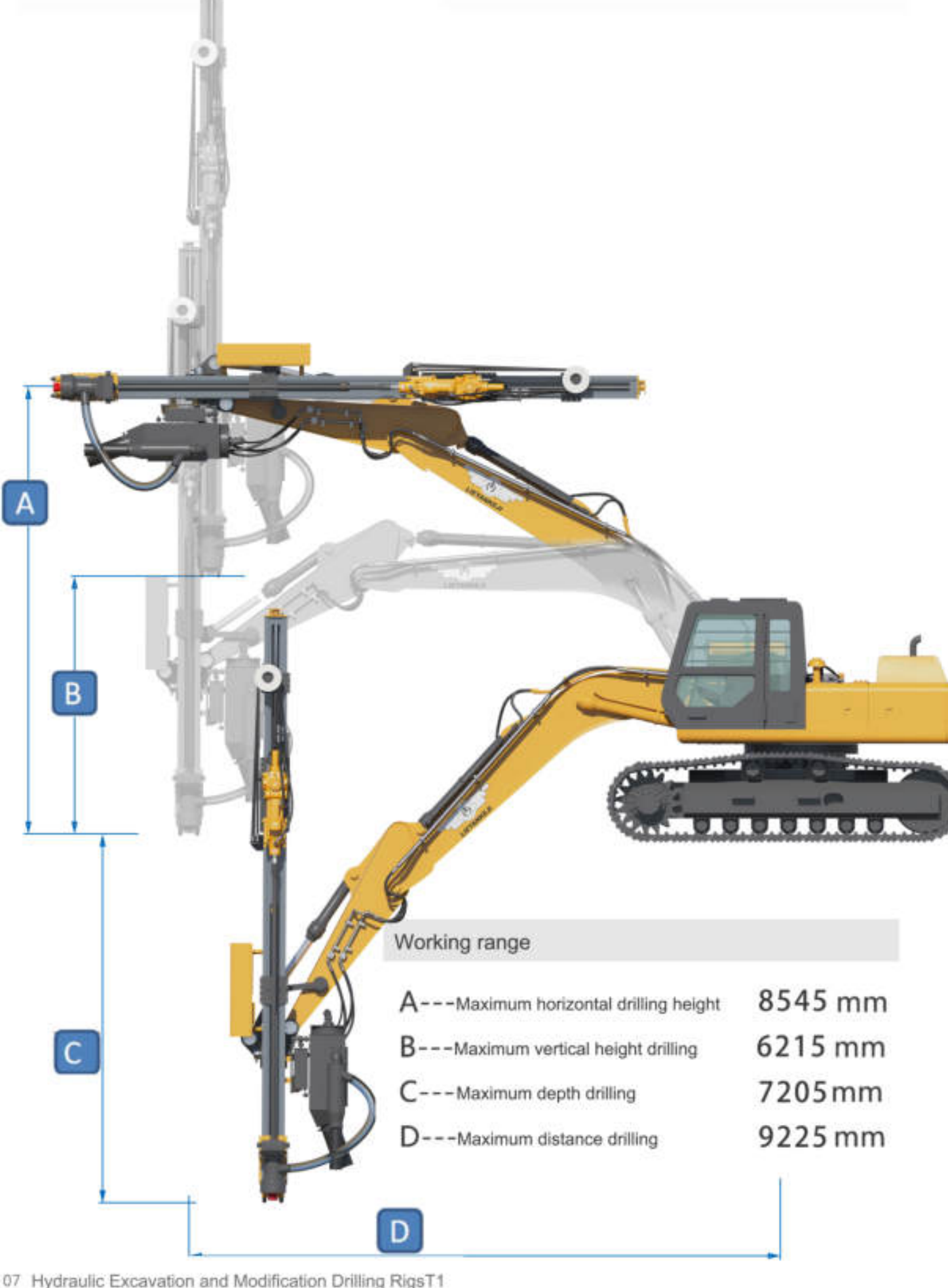
### Hydraulic Excavation and Modification Drilling RigsT1



LIYANKEJI

Hydraulic Excavation and Modification Drilling RigsT1 06

### Working area



07 Hydraulic Excavation and Modification Drilling RigsT1

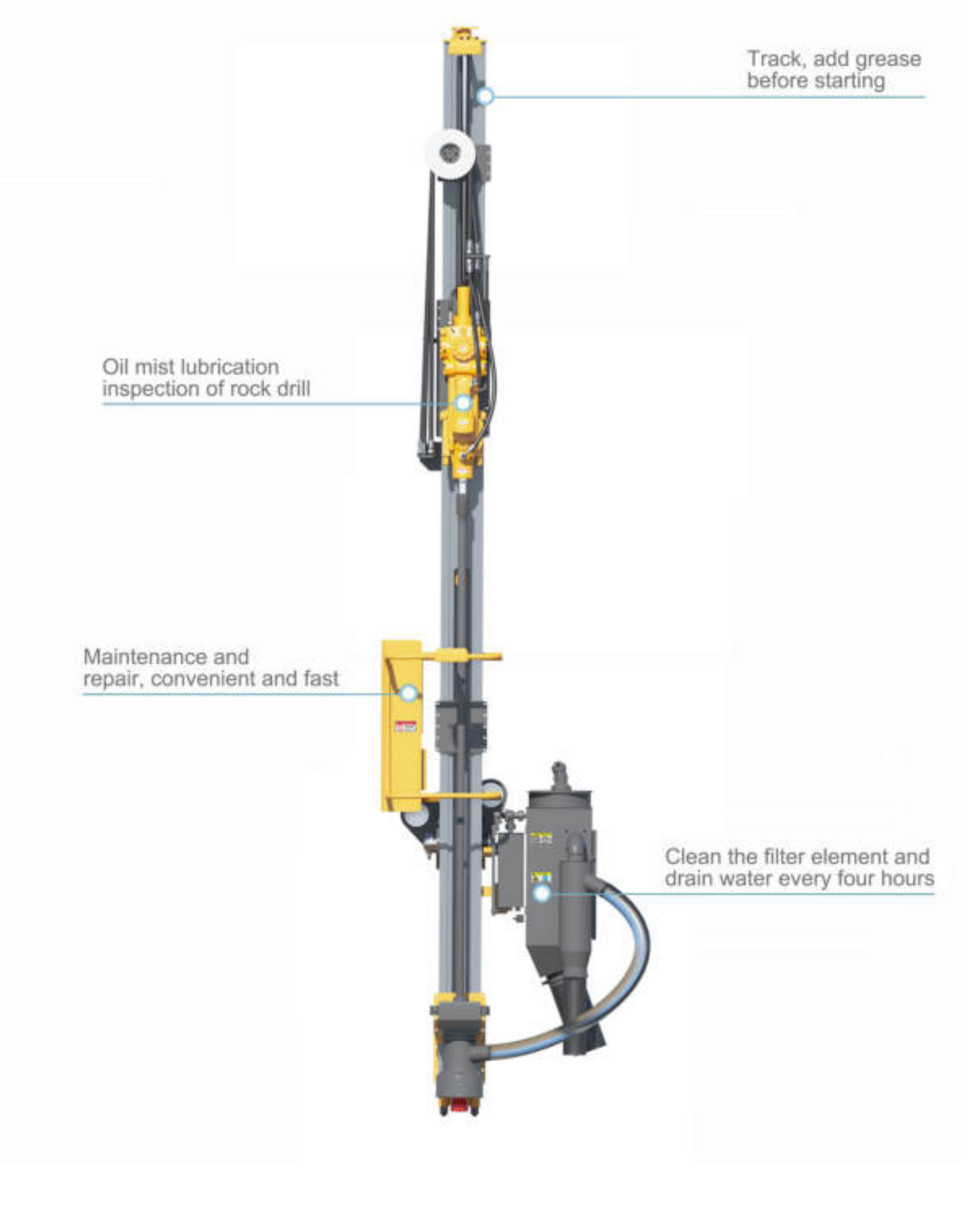
### Hydraulic Excavation and Modification Drilling RigsT1



LIYANKEJI

Hydraulic Excavation and Modification Drilling RigsT1 08

### Convenient maintenance



09 Hydraulic Excavation and Modification Drilling RigsT1

### Hydraulic Excavation and Modification Drilling RigsT1

**Product Specifications**

系列机 Rock Drill	型号: LD165/LD22S
冲击功率: Impact Power	16kW/22kW
冲击频率: Impact Frequency	50Hz/38Hz
冲击压力: Impact Pressure	180bar/200bar
冲击流量: Impact Flow Rate	65L/min/120L/min
回转扭矩: Rotational Torque	960Nm/1522Nm
回转速度: Rotational Speed	0-200rpm/0-140rpm
回转压力: Rotational Pressure	120bar/140bar
回转流量: Rotational Flow Rate	60L/min/75L/min
钻孔直径范: Drilling Diameter	76-102mm/89-127mm
<b>推进梁 Thrust bear</b>	
推进梁总长度: Total Length of the Propulsion Beam	6.5米
推进力: Propulsion Force	20kN
提升力: Lifting Force	20kN
凿岩机行程: Rock Drill Stroke	4.2米
钻杆长度: Drill Rod Length	3.66m
钻杆数量: Number of Drill Rods	1根
换杆方式: Rod Replacement Method	无
<b>螺杆式空压机Screw-type Air Compressor</b>	
排气量: Discharge Volume	4.5m <sup>3</sup> /min
排气压力: Discharge Pressure	7bar
挖掘机型要求: Excavator Requirements	≥20吨

LIYANKEJI

Hydraulic Excavation and Modification Drilling RigsT1 10

### For diverse construction conditions, we provide customers with wireless remote control engineering equipment with reliable quality and advanced performance.

Using advanced wireless communication technology to ensure stable and reliable signal transmission, allowing you to easily control the device in any environment. Through remote control, operators can stay away from dangerous areas, ensuring personal safety while reducing potential accident risks.



Wired controller

### Hydraulic Excavation and Modification Drilling RigsT1

## Lieyan Technology INTELLIGENT SERVICE PLATFORM

**Service model change** Lieyan Technology's smart service platform is customer-oriented. Based on digital and internet technologies, we provide full-process smart service solutions that meet the diverse needs of users.

**The leader in the rock drilling and splitting machine industry**



11 Hydraulic Excavation and Modification Drilling RigsT1

LIYANKEJI

Hydraulic Excavation and Modification Drilling RigsT1 12

### Pressure flow control valve



### Action control valve

