



LIEYANKEJI

Lieyan Technology

The Bedrock of Innovation



LIEYANKEJI

Hydraulic Rock Drilling and Splitting Machine PL3000LQ

Suitable excavator weight at : 38T-65T



LIEYANKEJI

China Hunan Lieyan Technology Co., Ltd.

- 🌐 domestic website: www.lieyankeji.com
- 🌐 international website: www.chnlykj.com
- ✉ E-mail: admin@lieyanglobal.com



WhatsApp



international website



Facebook



TikTok



domestic website



Douyin



WeChat QR Code

Note: This product is constantly updated and improved with technological advancements and is subject to modification without prior notice. The final explanation right of the above content belongs to our company.

2026 First Edition Note: Our company reserves the final right to interpret the upgrading and modification of relevant parameters in the product brochure. Please pay timely attention to the information on our official website.

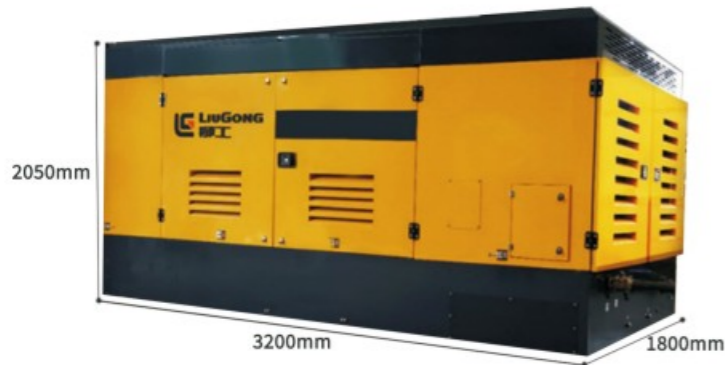


Widely used in super-hard rock static blast mining ,construction projects, foundation projects, road rock excavation, mining, water conservancy projects, etc.

More energy-saving and environmentally friendly

Higher Suction Efficiency:

The hydraulic motor drives the screw air compressor to compress air and generate high-pressure gas. It is mainly used in hydraulic rock drilling equipment or other pneumatic devices to provide pneumatic power for tasks such as debris blowing, dust removal, cleaning, and lubrication. Its features include low noise, compact size, energy efficiency, environmental friendliness, and stable performance.



Powerful suction, effortlessly handles various types of dust and gravel. High-efficiency filtration ensures dust-free quarry construction. Durable and reliable, suitable for different construction environments, enhancing production efficiency. Work easier and more efficiently!



More efficient return

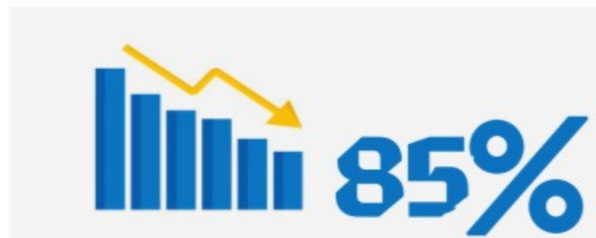
Superior Solutions for Ultra-Hard Rock

Daily rock production of 3000 tons

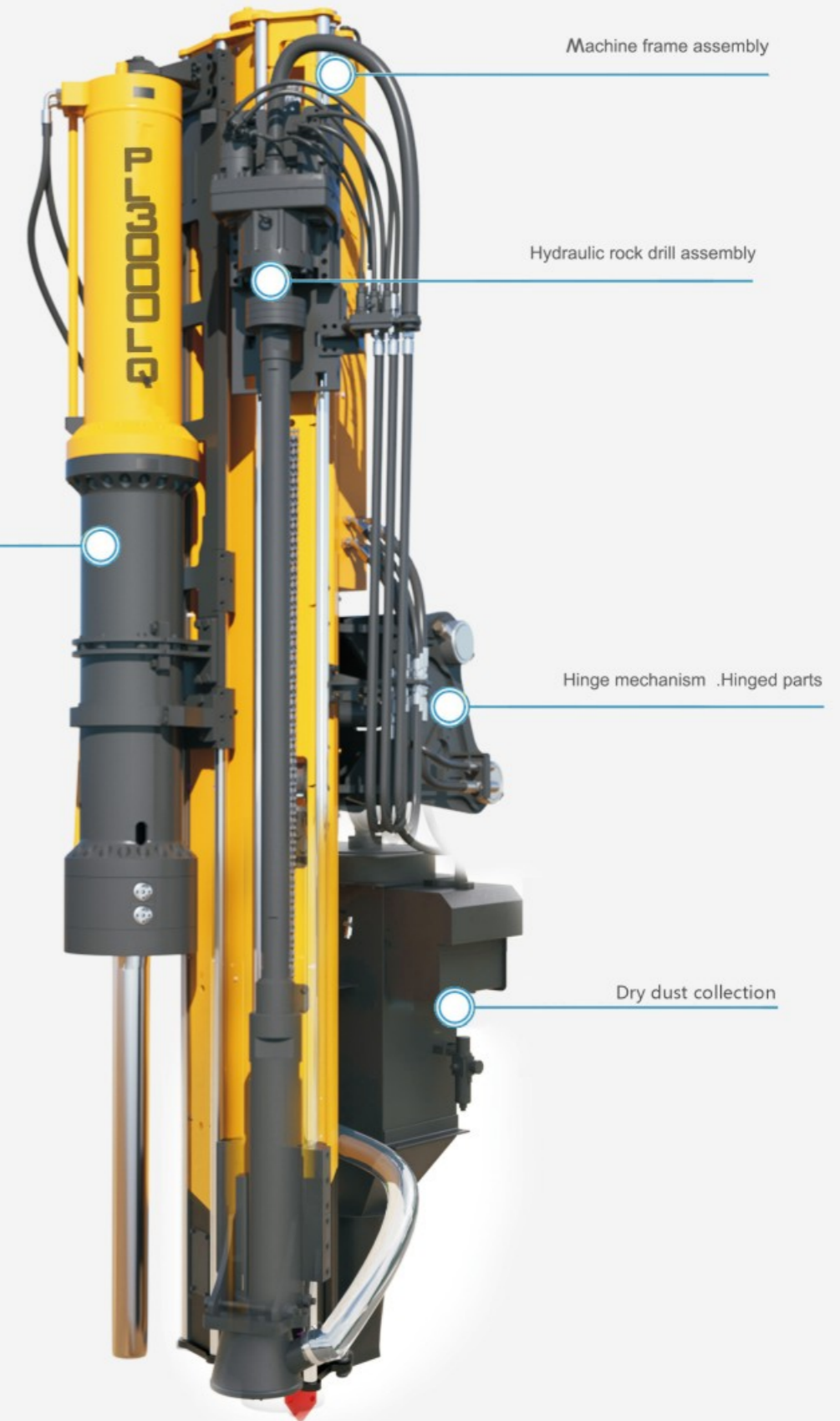
Compared to traditional hydraulic hammers, the drill-split machine delivers three times the working efficiency

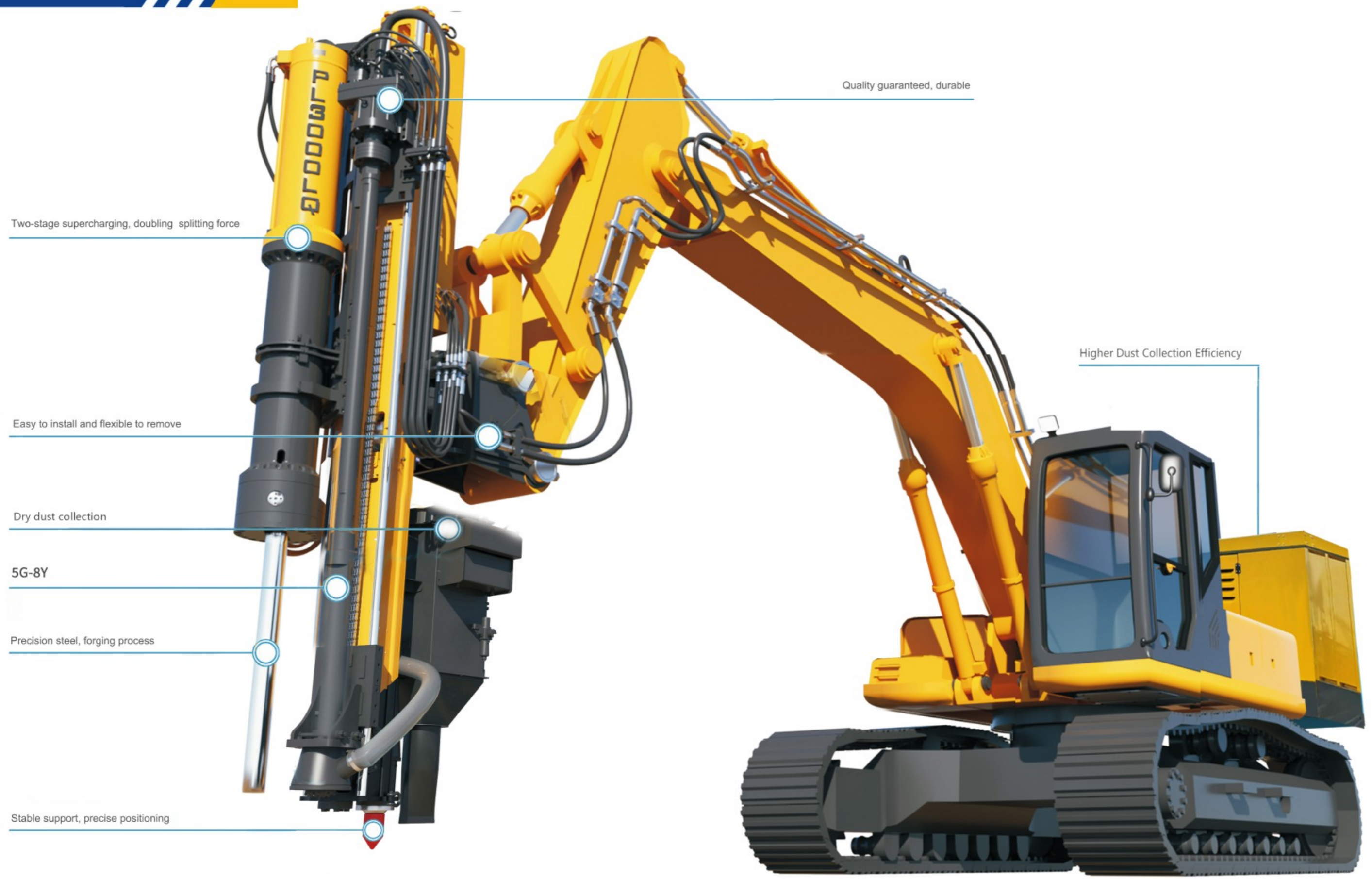


Achieves a 40% reduction in dust and mist while maintaining the same operational efficiency



Simpler, more stable and more efficient





Quality guaranteed, durable

Two-stage supercharging, doubling splitting force

Easy to install and flexible to remove

Dry dust collection

5G-8Y

Precision steel, forging process

Stable support, precise positioning

Higher Dust Collection Efficiency

Convenient maintenance

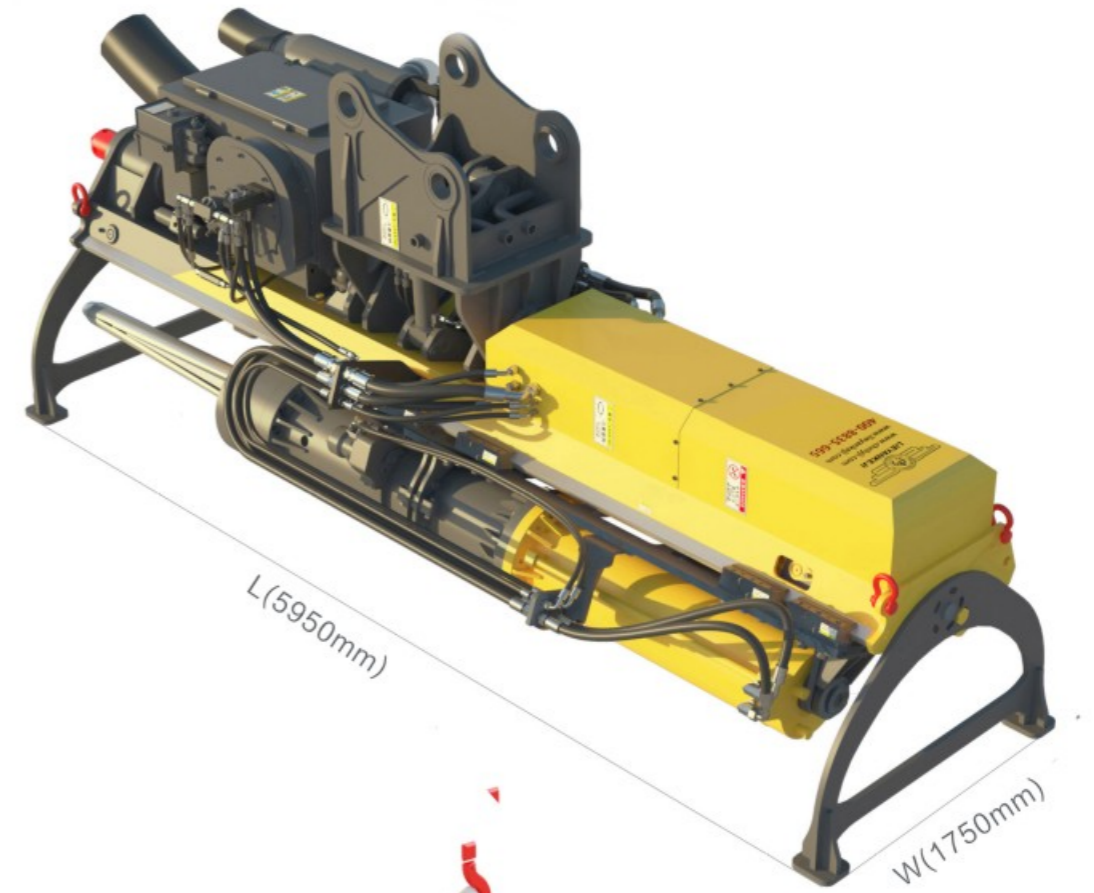
Fastening bolts, nuts

fast to do maintenance and repair

lubricate the track and chain before starting the machine

Dry dust collection

Brush with high temperature resistant grease



For diverse construction conditions, we provide customers with

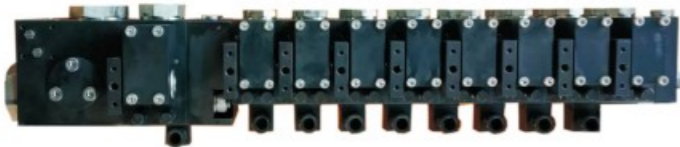
Wireless remote control engineering equipment with reliable quality and advanced performance

Using advanced wireless communication technology to ensure stable and reliable signal transmission, allowing you to easily control the device in any environment. Through remote control, operators can stay away from dangerous areas, ensuring personal safety while reducing potential accident risks.

Wireless transmitter



Pressure flow control valve



Wireless receiver



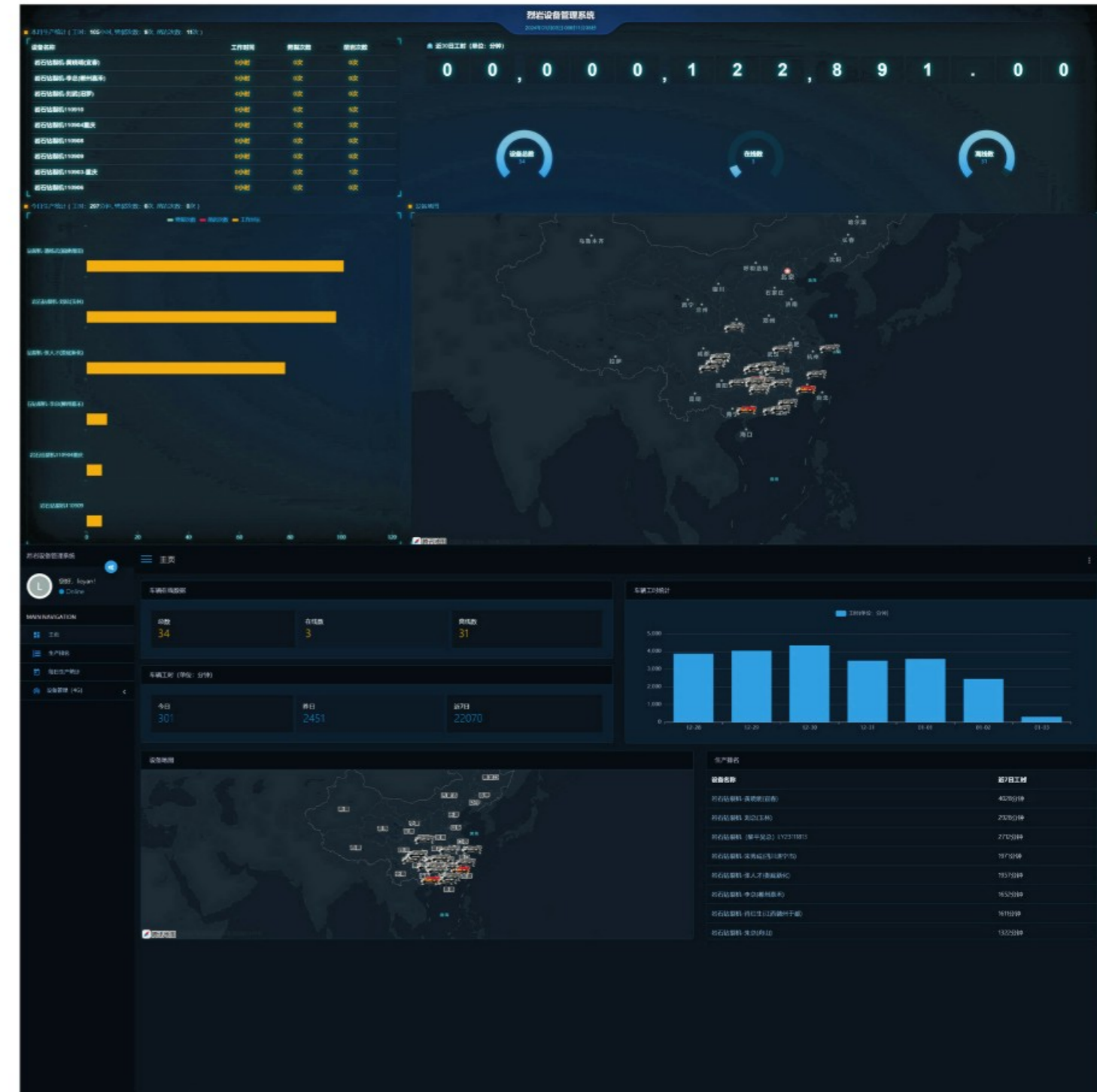
Action control valve

Lieyan Technology INTELLIGENT SERVICE PLATFORM

Service model changer

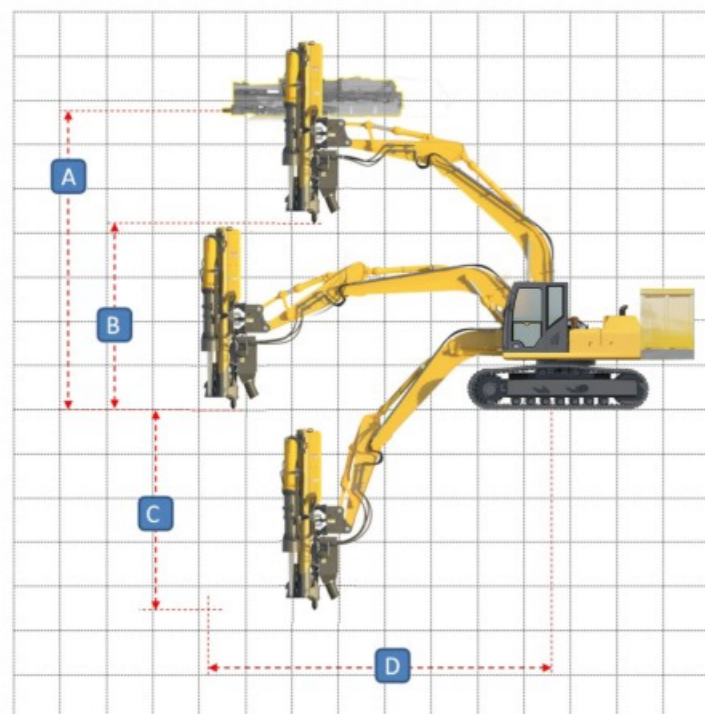
The leader in the rock drilling and splitting machine industry

Lieyan Technology's smart service platform is customer-centered. Based on digital and internet technologies, we provide full-process smart service solutions that meet the diverse needs of users.



产品尺寸参数

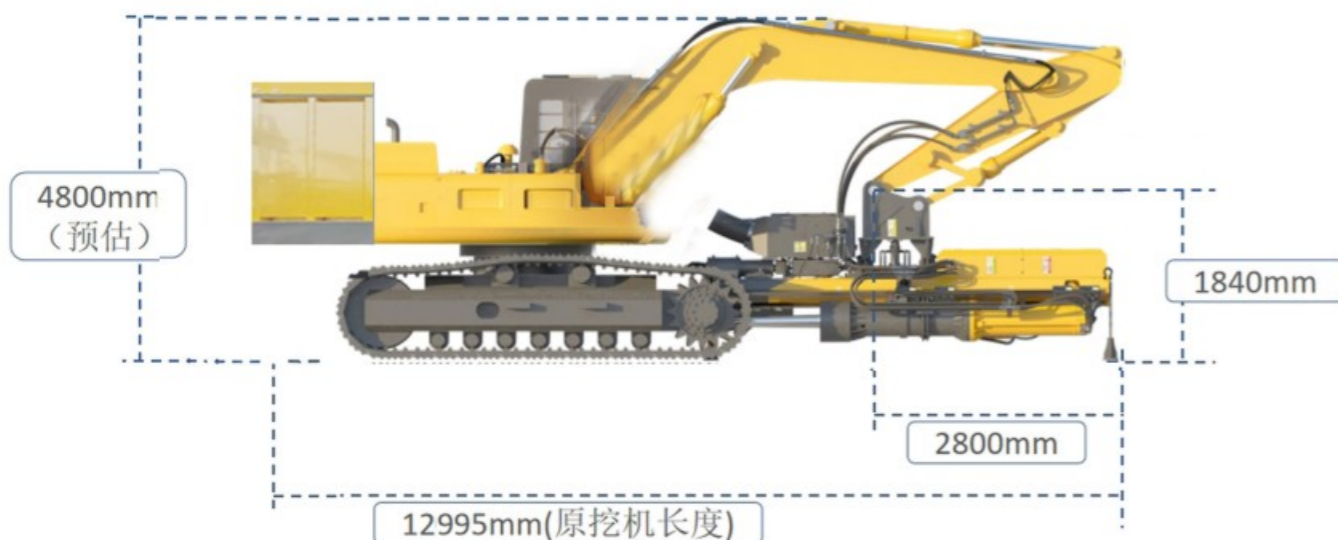
产品型号(配48T-65T挖掘机)



工作范围

A---最大水平高度劈裂	mm	10680
B---最大垂直高度劈裂	mm	6770
C---最大深度劈裂	mm	8050
D---最大距离劈裂	mm	11640

挖掘机加载PL2000LG(运输尺寸示意图)



产品技术参数

· 动力头power head

输入压力Input pressure:	205bar
输入流量input flow:	190L/min
回转扭矩swing torque:	3483Nm
回转速度swing speed:	115rpm
钻孔孔径 Borehole diameter:	Φ203mm

· 劈裂机 Splitting machine

劈裂深度 Splitting depth:	1800mm
-----------------------	--------

劈裂力(两级增压):	30000T
------------	--------

Splitting force(two-stage pressurization)

旋转角度 rotation angle:	120°
----------------------	------

· 推进梁 Thrust bear

凿岩最大推进力:	40KN
----------	------

Maximum thrust force of rock drill

劈裂最大拉拔力:	80KN
----------	------

Maximum drawing force of splitting machine

· 空压机 Air compressor

排气量 Air displacement:	25m ³ /min
-----------------------	-----------------------

排气压力 Discharge pressure:	21.5bar
--------------------------	---------

柴动发动机 Dieselenigne:	191/Kw
---------------------	--------

空压可以机根据客户需求, 实际工况选配品牌型号。
Air compressor can be selected according to customer re-quirements and actual working conditions.

· 侧摆单元 Swing unit

侧摆力 Swing force:	80KN
------------------	------

侧摆速度Swing speed:	1rpm
------------------	------

· 遥控器 Remote control

有效范围 Effective range:	50m
-----------------------	-----

数字量点数output points:	30
---------------------	----

模拟量路数 output channels:	14
------------------------	----

抗干扰能力(邻道抑制)

Anti-interference ability :	>50dB
-----------------------------	-------

· 吸尘器 Vacuum cleaner

滤芯数量Number of filters:	20P
------------------------	-----

· 整机参数 Overall specifications

总重量 Total weight:	8.8T
-------------------	------

总长 Overall length:	5950mm
--------------------	--------

总宽 Overall width:	1700mm
-------------------	--------

平量高度 Overall height:	2000mm
----------------------	--------

挖掘机要求Excavator requirements:	48T-65T
------------------------------	---------

