



LIEYANKEJI

Lieyan Technology

The Bedrock of Innovation



LIEYANKEJI

Hydraulic Rock Drilling and Splitting Machine PL2000LQ

Suitable excavator weight at : 36T-52T



LIEYANKEJI

China Hunan Lieyan Technology Co., Ltd.

- 🌐 domestic website: www.lieyankeji.com
- 🌐 international website: www.chnlykj.com
- ✉ E-mail: admin@lieyanglobal.com



WhatsApp



international website



Facebook



TikTok



domestic website



Douyin



WeChat QR Code

Note: This product is constantly updated and improved with technological advancements and is subject to modification without prior notice. The final explanation right of the above content belongs to our company.

2026 First Edition Note: Our company reserves the final right to interpret the upgrading and modification of relevant parameters in the product brochure. Please pay timely attention to the information on our official website.



Widely used in super-hard rock static blast mining ,construction projects, foundation projects, road rock excavation, mining, water conservancy projects, etc.

More energy-saving and environmentally friendly

Higher Suction Efficiency:

The hydraulic motor drives the screw air compressor to compress air and generate high-pressure gas. It is mainly used in hydraulic rock drilling equipment or other pneumatic devices to provide pneumatic power for tasks such as debris blowing, dust removal, cleaning, and lubrication. Its features include low noise, compact size, energy efficiency, environmental friendliness, and stable performance.



2100MM

3250MM

Powerful suction, effortlessly handles various types of dust and gravel. High-efficiency filtration ensures dust-free quarry construction. Durable and reliable, suitable for different construction environments, enhancing production efficiency. Work easier and more efficiently!



More efficient return

Superior Solutions for Ultra-Hard Rock

Daily production capacity of 2000 tons of rock

Compared to traditional hydraulic hammers, the drill-split machine delivers three times the working efficiency



Achieves a 40% reduction in dust and mist while maintaining the same operational efficiency



Simpler, more stable and more efficient



Machine frame assembly

Hydraulic rock drill assembly

o-pole supercharged splitting machir

Hinge mechanism .Hinged parts

Dry dust collection



Quality guaranteed, durable

Two-stage supercharging, doubling splitting force

Easy to install and flexible to remove

Dry dust collection

5G-8Y

Precision steel, forging process

Stable support, precise positioning

Higher Dust Collection Efficiency

Convenient maintenance

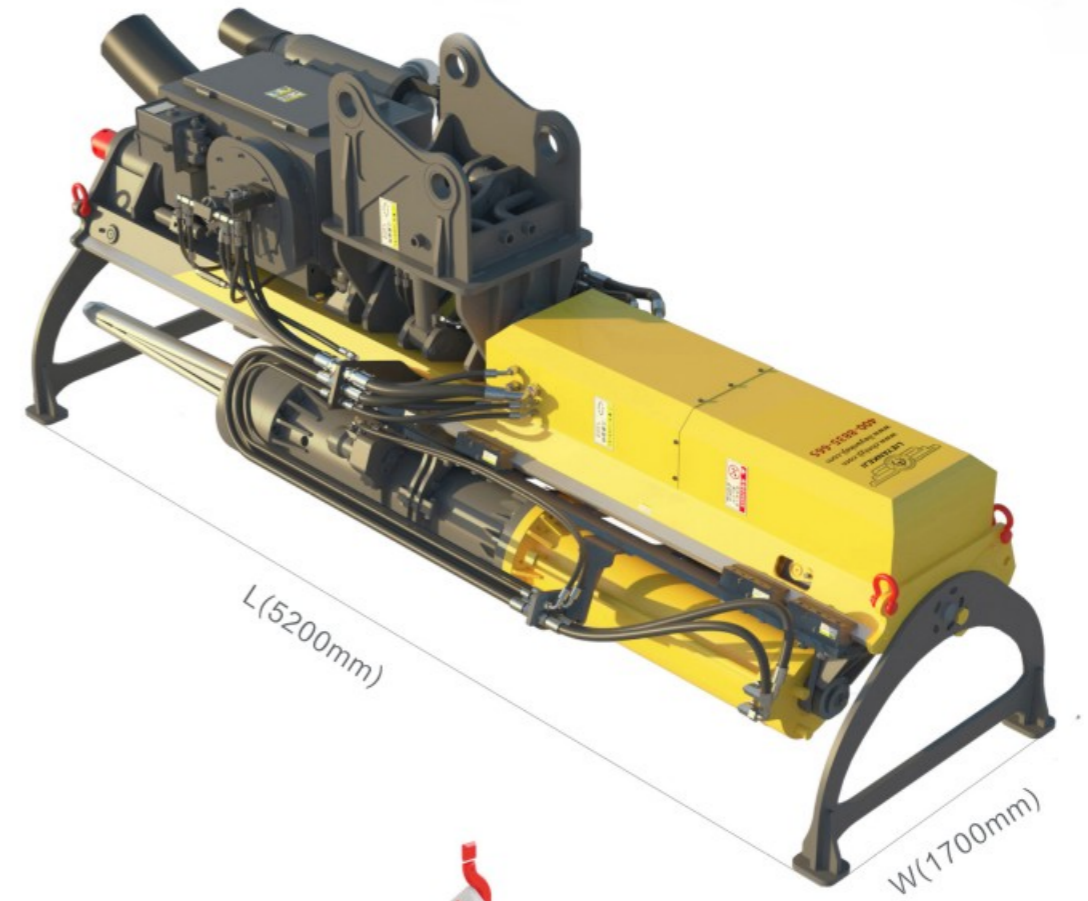
Fastening bolts, nuts

fast to do maintenance and repair

lubricate the track and chain before starting the machine

Dry dust collection

Brush with high temperature resistant grease



For diverse construction conditions, we provide customers with

Wireless remote control engineering equipment with reliable quality and advanced performance

Using advanced wireless communication technology to ensure stable and reliable signal transmission, allowing you to easily control the device in any environment. Through remote control, operators can stay away from dangerous areas, ensuring personal safety while reducing potential accident risks.

Wireless transmitter



Pressure flow control valve



Wireless receiver



Action control valve

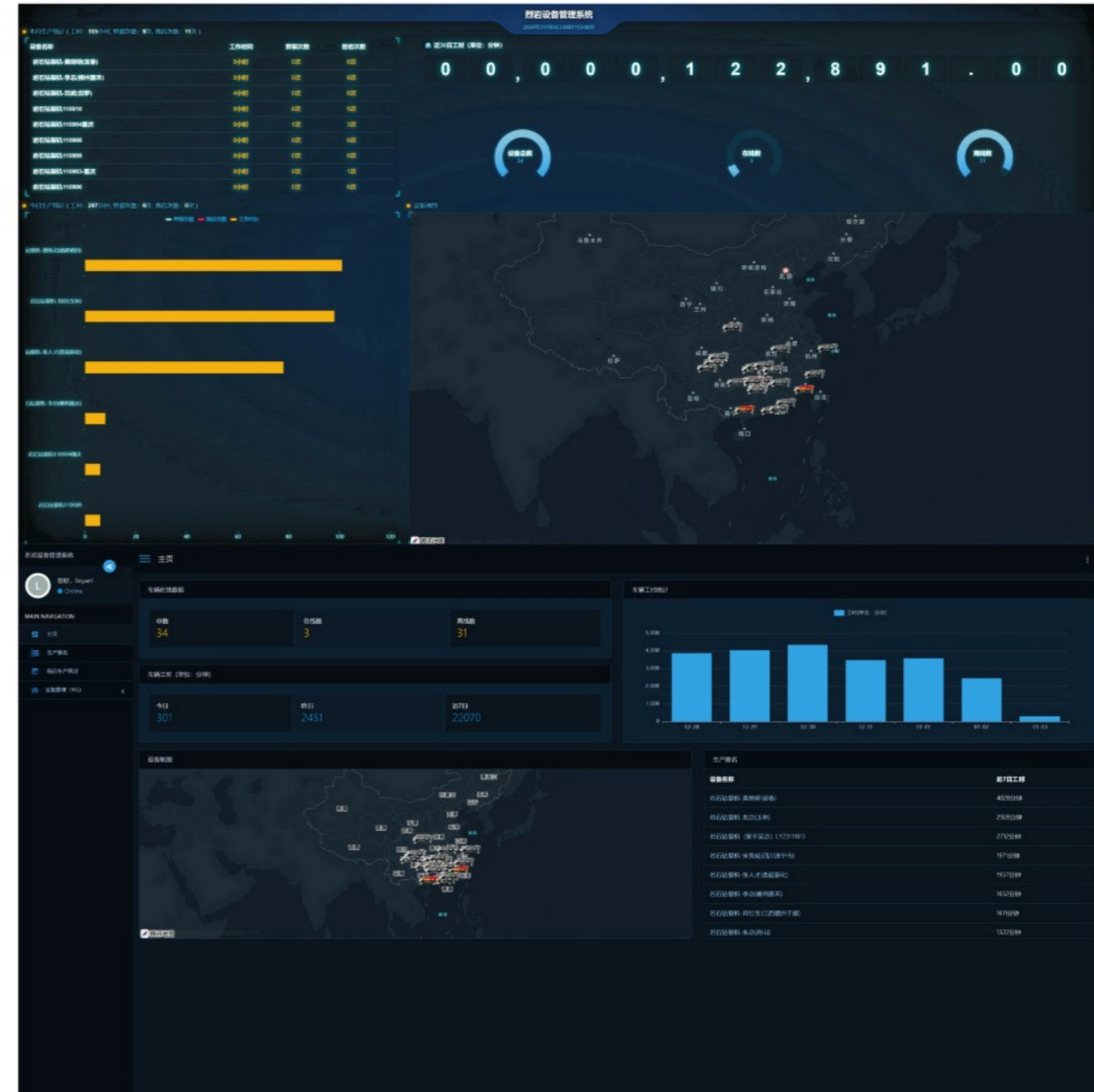


Lieyan Technology INTELLIGENT SERVICE PLATFORM

Service model changer

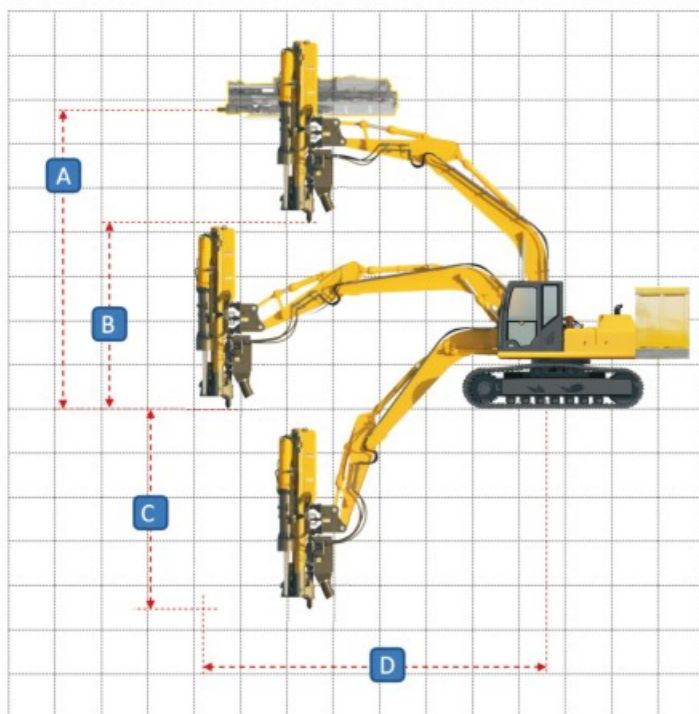
The leader in the rock drilling and splitting machine industry

Lieyan Technology's smart service platform is customer-centered. Based on digital and internet technologies, we provide full-process smart service solutions that meet the diverse needs of users.



Product size parameters

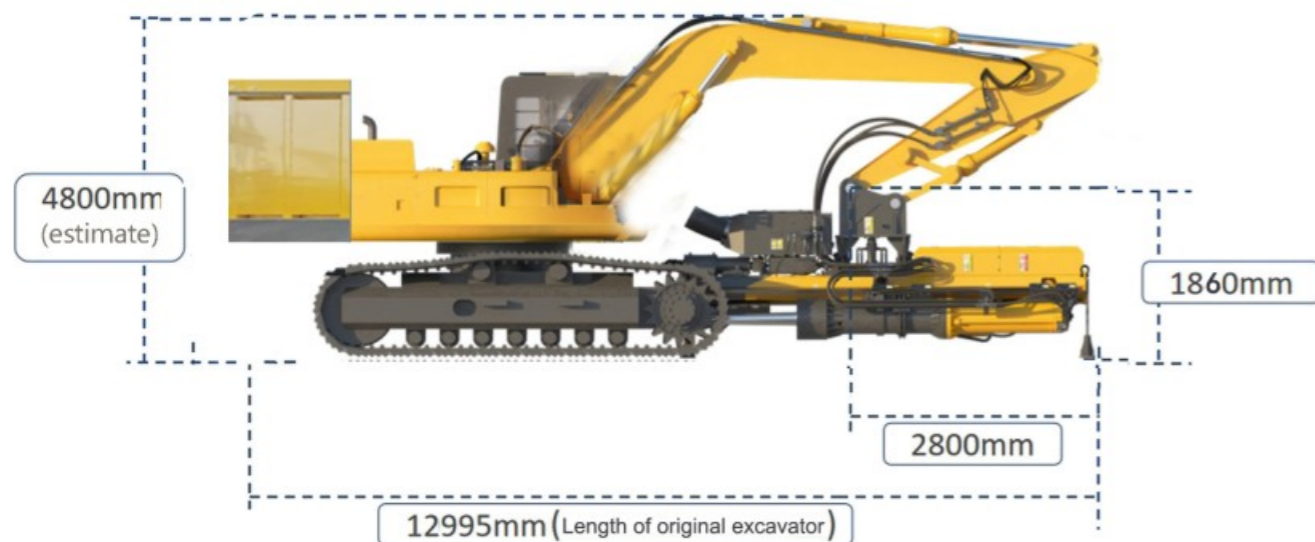
Product model (with 36T-52T excavator)



The scope of work

A--Maximum horizontal height splitting	mm	10680
B--Maximum vertical height splitting	mm	6770
C--Maximum depth of splitting	mm	8050
D--Maximum distance splitting	mm	11640

Excavator installed PL2000LQ (transportation dimensions diagram)



产品技术参数

· 动力头 Power head

输入压力 Input pressure:	205bar
输入流量 Input flow:	190L/min
回转扭矩 Swing torque:	3483Nm
回转速度 Swing speed:	115rpm
钻孔孔径 Borehole diameter:	Φ152mm

· 劈裂机 Splitting machine

劈裂深度 Splitting depth:	1500mm
-----------------------	--------

劈裂力(两级增压): 20000T

Splitting force (two-stage pressurization)

旋转角度 rotation angle: 120°

· 推进梁 Thrust bear

凿岩最大推进力: 40KN

Maximum thrust force of rock drill

劈裂最大拉拔力: 80KN

Maximum drawing force of splitting machine

· 空压机 Air compressor

排气量 Air displacement: 20/22m³/min

排气压力 Discharge pressure: 18/22bar

柴动发动机 Dieselenigne: 191/Kw

空压可以根据客户需求, 实际工况选配品牌型号。
Air compressor can be selected according to customer requirements and actual working conditions.

· 侧摆单元 Swing unit

侧摆力 Swing force: 80KN

侧摆速度 Swing speed: 1rpm

· 遥控器 Remote control

有效范围 Effective range: 50m

数字量点数 output points: 30

模拟量路数 output channels: 14

抗干扰能力(邻道抑制)

Anti-interference ability: >50dB

· 吸尘器 Vacuum cleaner

滤芯数量 Number of filters: 8P

· 整机参数 Overall specifications

总重量 Total weight: 7.8T

总长 Overall length: 5200mm

总宽 Overall width: 1700mm

平量高度 Overall height: 2000mm

挖掘机要求 Excavator requirements: 36T-52T

